



# IANA Stewardship Transition & Enhancing ICANN Accountability

Theresa Swinehart

# The U.S. Government's Announcement

**14 March 2014:** U.S. Government announces intent to transition its stewardship of the IANA functions to the global multistakeholder community

- ⊙ Asked ICANN to convene global stakeholders to develop a proposal
- ⊙ The multistakeholder community has set policies implemented by ICANN for more than 15 years



Why  
now?

## The U.S. Government's announcement:

- ⊙ Marks the final phase of the privatization of the DNS
- ⊙ Further supports and enhances the multistakeholder model of Internet policy making and governance

ICANN was asked to serve as a facilitator, based on its role as the IANA functions administrator and global coordinator for the Internet's Domain Name System (DNS)

# Why Does This Matter to Business?

- ⦿ Almost **\$8 trillion** exchange hands each year through e-commerce, and the continued success of e-commerce is dependent on one, global, secure, stable and interoperable Internet
- ⦿ Business has an important seat at the table in this global conversation and needs to be an active participant in facilitating a successful transition
- ⦿ The next billion Internet users will connect from developing countries and emerging economies. Sole U.S. oversight of the IANA functions is no longer optimal given this new global landscape
  - A successful transition would ensure the continuation of a secure, stable and interoperable Internet for all users globally, while failure could result in adverse consequences for global Internet commerce

# Why Does This Matter to Governments?

- ⦿ The IANA Stewardship Transition is important for all stakeholders, especially for governments given their responsibility over Internet public policy issues
- ⦿ Successful completion of the IANA Stewardship Transition recognizes that no single government – or group of governments – should have any form of control over the security, stability and interoperability of the Domain Name System (DNS)
  - This will help ensure the continued openness, interoperability and stability of the Internet which both countries and their citizens **economically, socially** and **culturally** benefit from
- ⦿ The IANA Stewardship Transition proposal will be accompanied by significant proposals to further enhance ICANN's accountability to the entire Internet Community; including governments (on an equal footing)

# Transition Requirements set by NTIA

NTIA has stated that the transition proposal must have broad community support and address the following four principles:



Support and enhance the multistakeholder model



Maintain the security, stability and resiliency of the Internet DNS



Meet the needs and expectations of the global customers and partners of the IANA services



Maintain the openness of the Internet

NTIA also specified that it will **not** accept a proposal that replaces the NTIA role with a government-led or intergovernmental organization solution.

# Two Parallel Processes

The community developed and is following two parallel processes:

## IANA Stewardship Transition

Focused on delivering a proposal to transition the stewardship of the IANA functions to the multistakeholder community

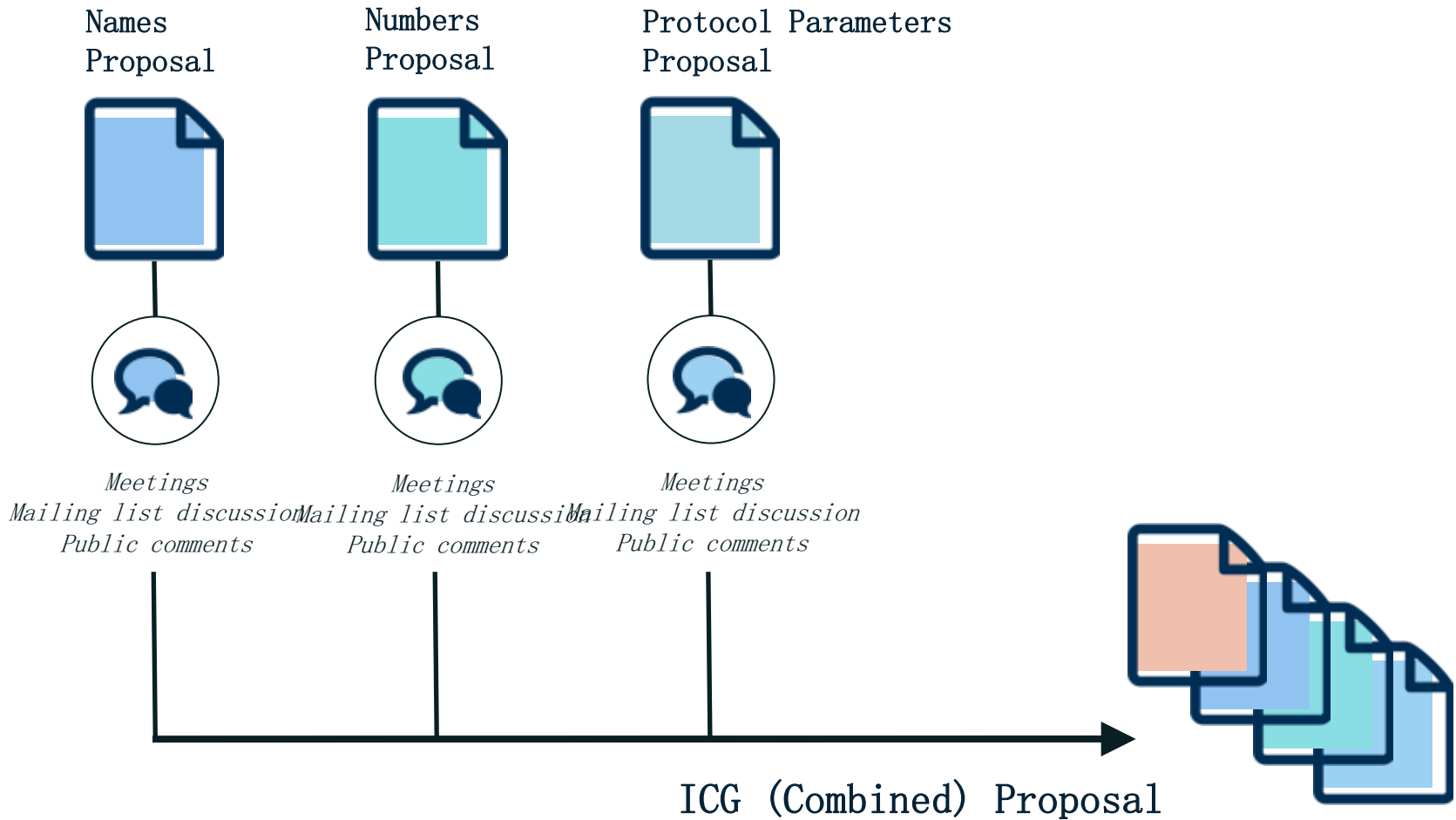
## Enhancing ICANN Accountability

Focused on ensuring that ICANN remains accountable in the absence of its historical contractual relationship with

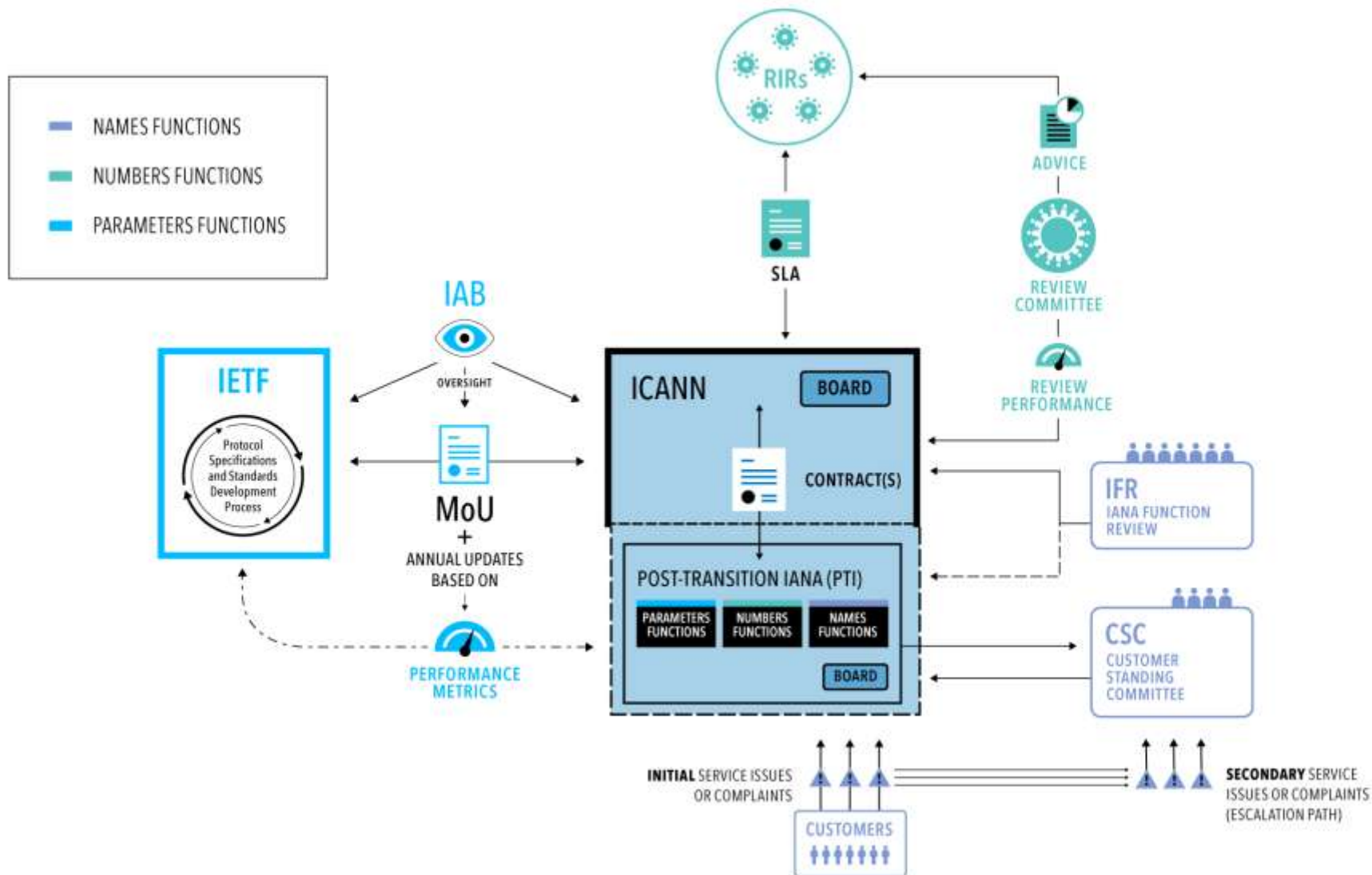
To drive the processes, the community created **multilayered**, **transparent** and **diverse** working groups to foster discussion and within those groups, has developed working methods and systems for determining consensus



# ICG Request for Transition Proposal

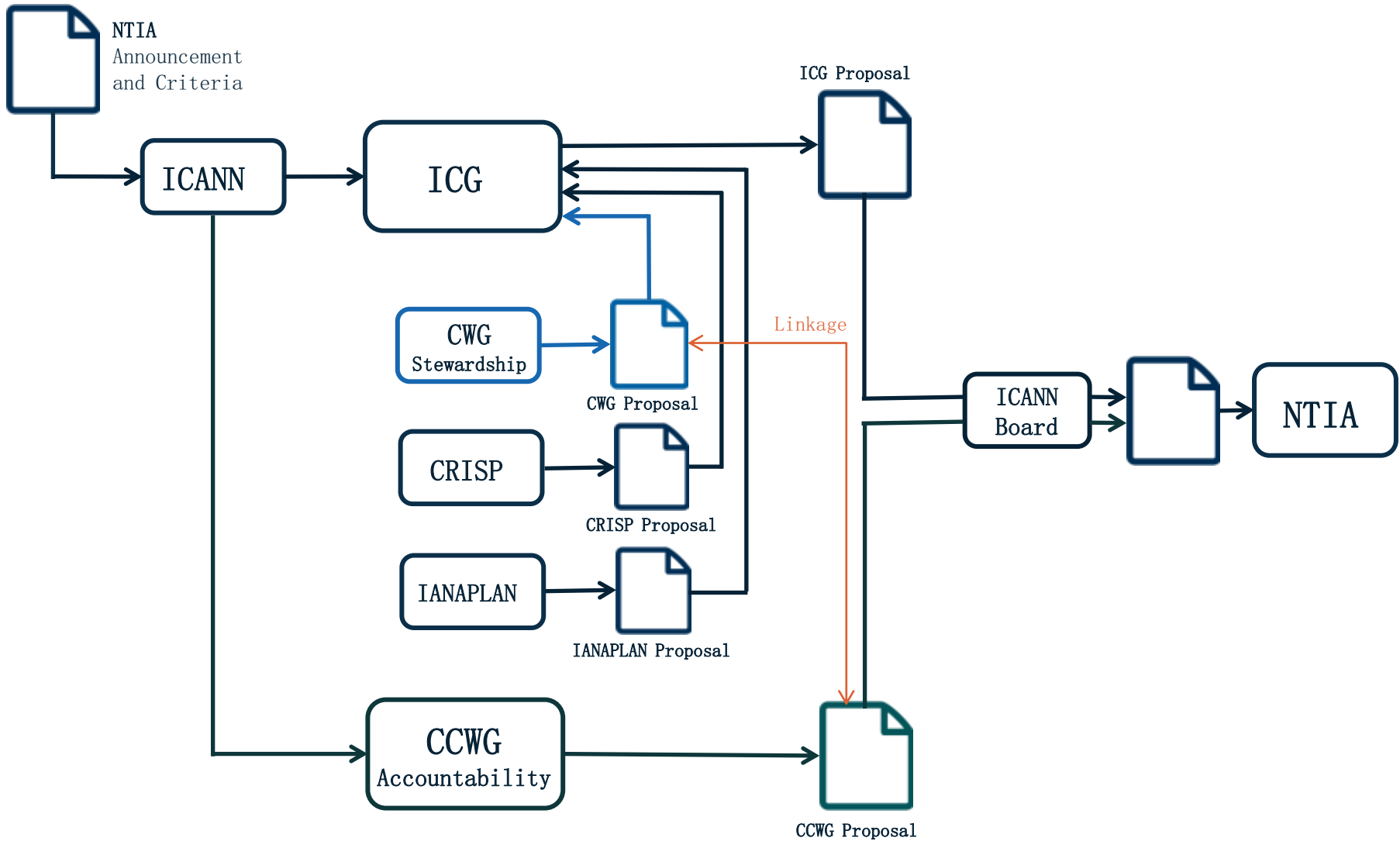


# Combined ICG Proposal Overview





# Developing Proposals





ENHANCING ICANN  
ACCOUNTABILITY

# Enhancing ICANN Accountability

As initial discussions around the transition took place, the community raised the broader topic of the impact of the change on ICANN's accountability.

- ⦿ The transition would end the U.S. Government's historical contractual relationship with ICANN
- ⦿ This relationship has been perceived as a backstop with regard to ICANN's organization-wide accountability

As a  
result

ICANN launched a second process, parallel but interrelated with the IANA Stewardship Transition process, to examine from an organizational perspective how ICANN's broader accountability mechanisms should be strengthened to address the absence of the U.S. Government.

# CCWG–Accountability Goals and Requirements

## Goal:

Deliver proposals that would enhance ICANN's accountability towards all stakeholders.

The CCWG–Accountability has two Work Streams:



### Work Stream 1

Focused on mechanisms enhancing ICANN accountability that must be in place or committed to within the time frame of the IANA Stewardship Transition

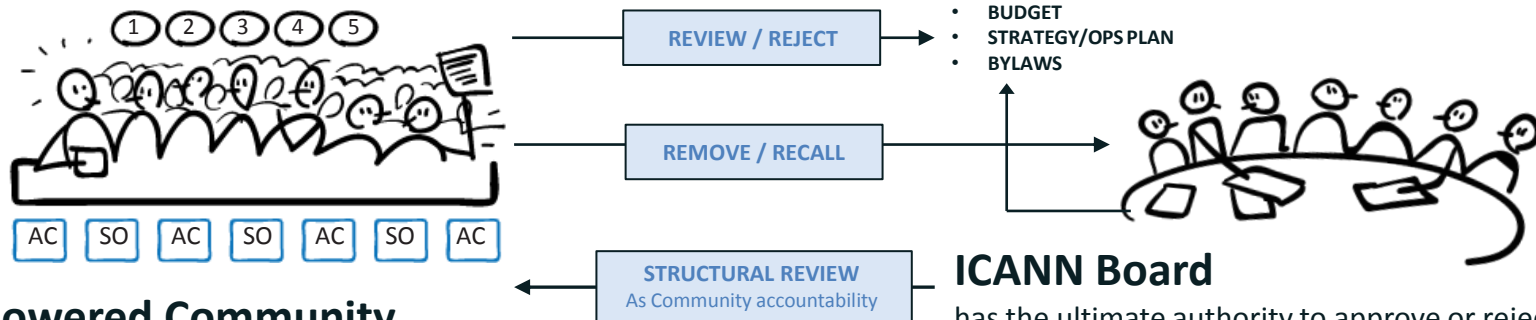


### Work Stream 2

Focused on addressing accountability topics for which a timeline for developing solutions and full implementation may extend beyond the IANA Stewardship Transition

# Proposed Enhanced Accountability

The CCWG-Accountability has identified enhancements required to **those building blocks that would form the accountability mechanisms** required to improve ICANN's accountability.

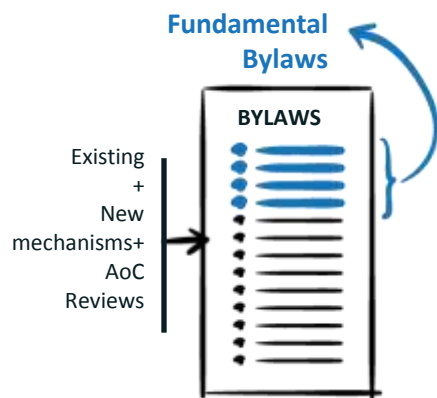


## The Empowered Community

refers to the powers that allow the community SOs & ACs to take action should ICANN breach the principles (i.e. the People).

## ICANN Board

has the ultimate authority to approve or reject policy recommendations, developed by the SOs. ACs formally advise the ICANN Board on particular issues or policy areas (i.e. the Executive).



## The Principles

guarantee the core mission, commitments and values of ICANN through its bylaws (i.e. the Constitution).



7+ MEMBER STANDING PANEL



## Independent Appeals Mechanisms

confers the power to review and provide redress, as needed (i.e. the Judiciary).



# The Empowered Community's Powers

The CCWG-Accountability recommends the ICANN community be empowered with five distinct powers.



## 1. Reconsider/reject Budget or Strategy/Operating Plan

This power would give the community the ability to consider strategic/operating plans and budgets after they are approved by the Board (but before they come into effect) and reject them.



## 2. Reconsider/reject changes to ICANN "Standard" Bylaws

This power would give the community the ability to reject proposed Bylaws changes after they are approved by the Board but before they come into effect.



## 3. Approve changes to "Fundamental" Bylaws

This power would form part of the process set out for agreeing any changes of the "fundamental" bylaws. It requires that the community would have to give positive assent to any change, a co-decision process between the Board and the community and that such changes would require a higher vote.



## Remove individual ICANN Board Directors

The community organization that appointed a given director could end their term and trigger a replacement process. The general approach, consistent with the law, is that the appointing body is the removing body.

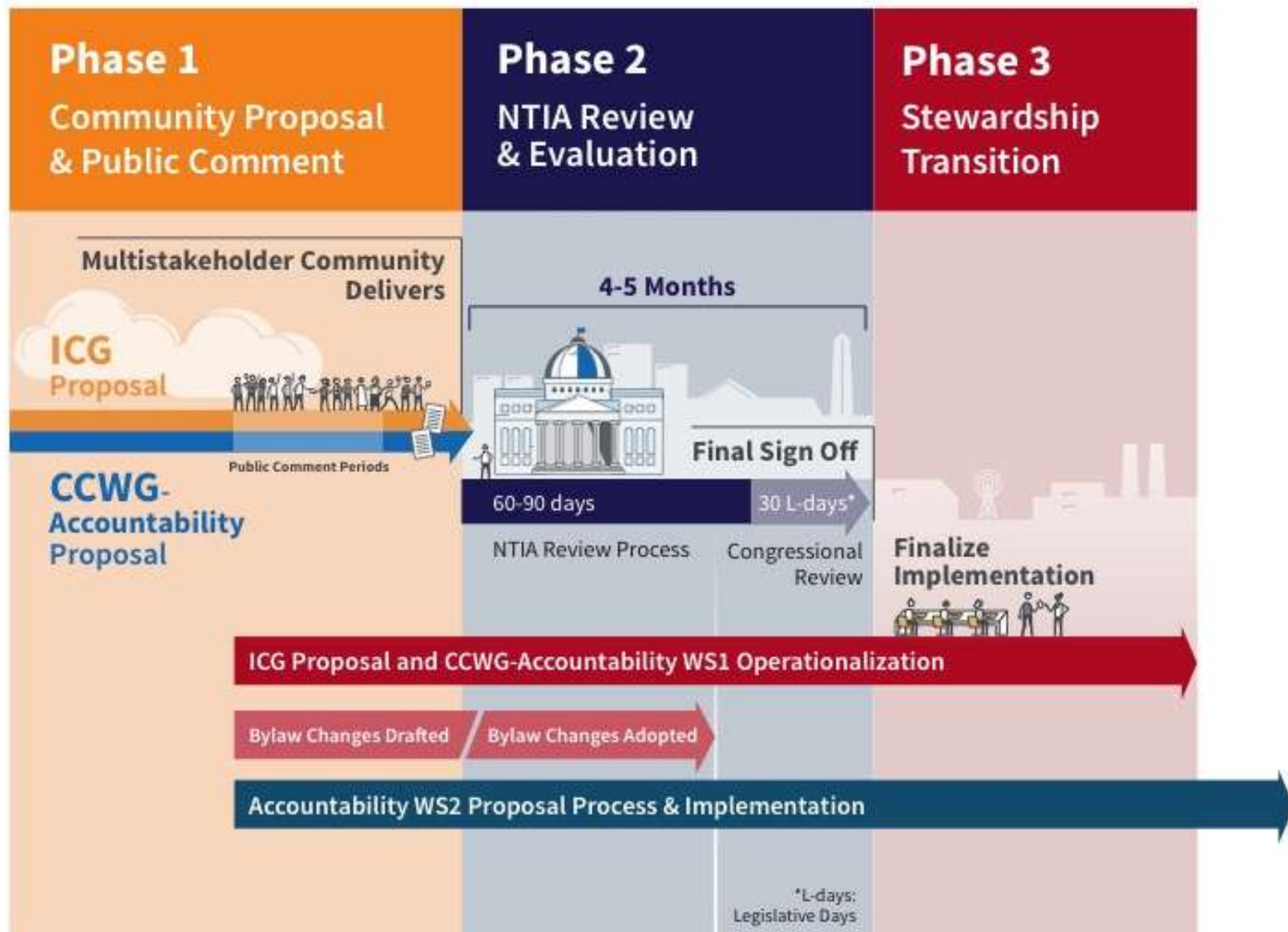


## 5. Recall entire ICANN Board

This power would allow the community to cause the removal of the entire ICANN Board. (expected to be used only in exceptional circumstances).



# Where are we now?



# What Can I Do Now To Get Involved?



## Join a working group

- ⦿ CCWG-Accountability, contact [acct-staff@icann.org](mailto:acct-staff@icann.org)



## Stay up to date on recent developments

- ⦿ Visit: <https://www.icann.org/stewardship-accountability>
- ⦿ Follow [@ICANN](#) on Twitter or like [ICANN](#) on Facebook
- ⦿ [Subscribe](#) to ICANN news alerts

# Questions?



## Thank You and Questions

Website: <https://www.icann.org/stewardship-accountability>



[twitter.com/icann](https://twitter.com/icann)



[facebook.com/icannorg](https://facebook.com/icannorg)

## IANA Stewardship Transition

<https://www.icann.org/stewardship>

- ⊙ Latest news and information on the IANA Stewardship Transition and ICG
- ⊙ Community participation information
- ⊙ Resources and archives from ICG meetings

## Enhancing ICANN Accountability

<https://community.icann.org/category/accountability>

- ⊙ Latest news and information on the Enhancing ICANN Accountability process and CCWG
- ⊙ Announcements and upcoming events